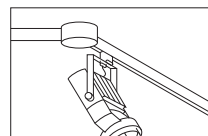
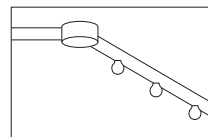
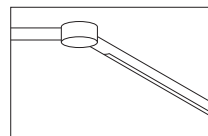
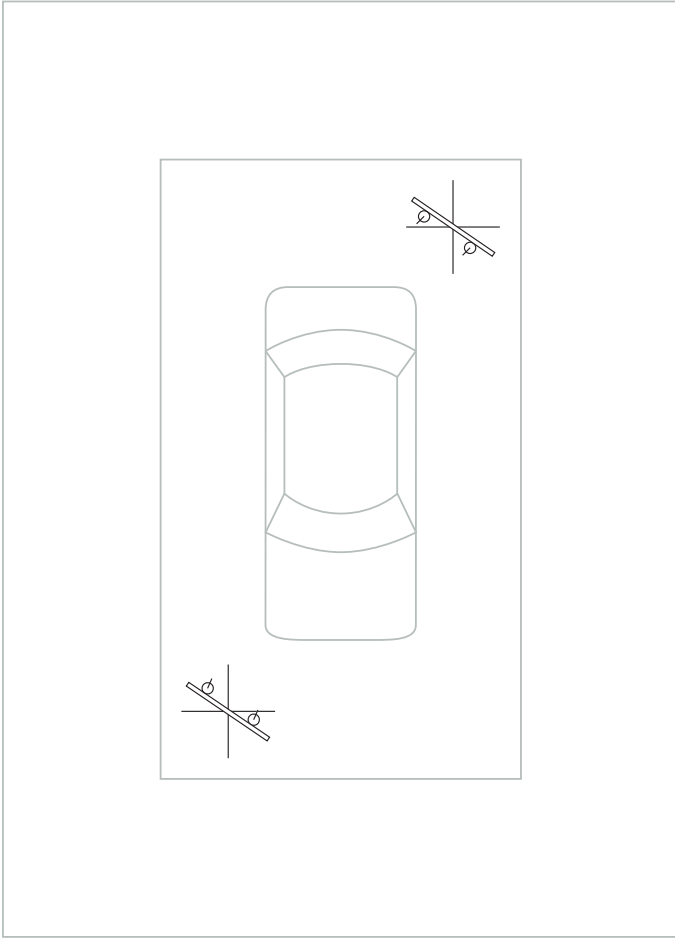


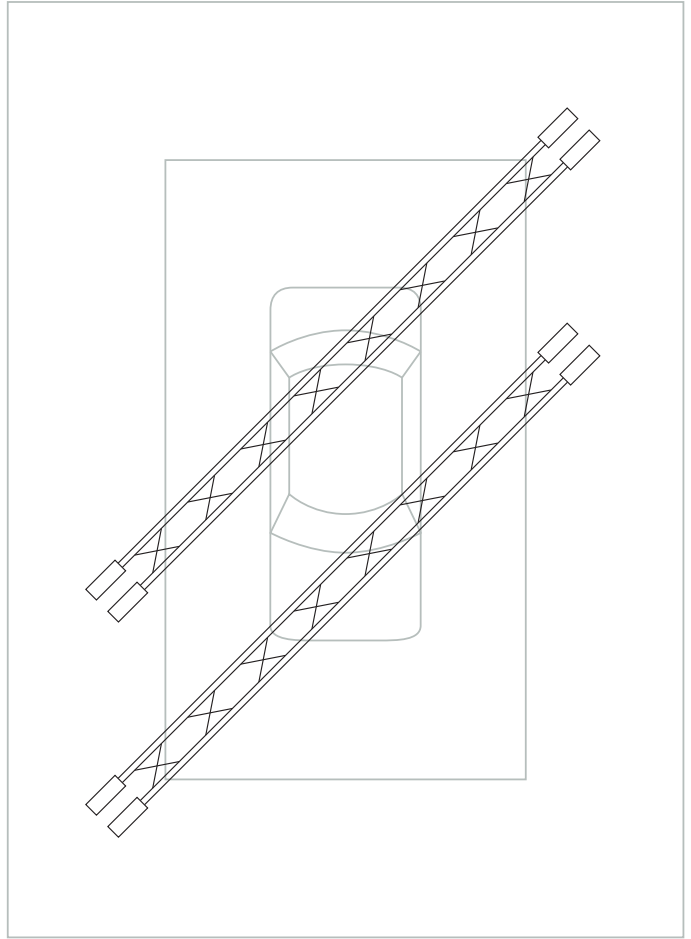
The lighting is mounted on a wide-span light structure with textile ceiling elements. The structure takes direct luminaires designed for fluorescent lamps and small decorative lamps and spotlights for accent lighting.

Wide-span light structure with luminaires for fluorescent lamps, small decorative lamps and track-mounted spotlights.

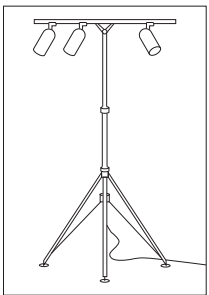




Spotlights mounted on a power tripods make for variable exhibition lighting.



The lighting is installed on a double portal frame structure comprising lattice beams with integral tracks aligned diagonally to the presentation space. Spotlights and projectors are used for striking accent lighting, clearly defined beams and gobo projections.



Power tripod with spotlights.

Lens projectors and spotlights mounted on lattice beams with integral tracks.

